

HBCB7070

hotbath
italian bathroomware

Concealed part for thermostatic mixer with 3 stop valves

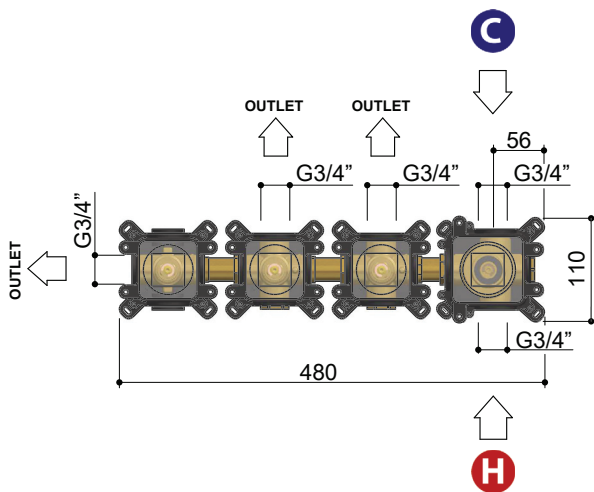
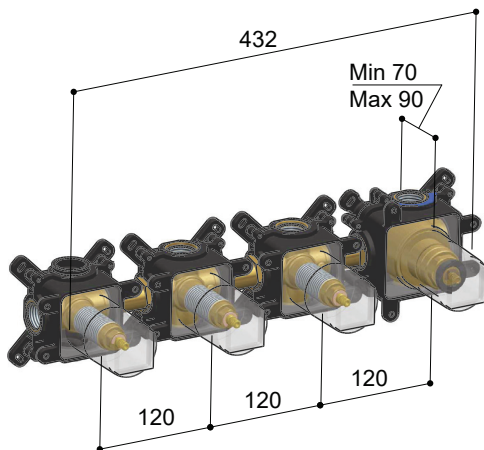
Parte incasso per miscelatore termostatico con 3 rubinetti d'arresto

Partie encastrée pour mitigeur thermostatique avec 3 robinets d'arrêt

Cuerpo empotrado para termostático con 3 llaves de paso

UP-Teil für Thermostatbatterie mit 3 UP-Ventilen

Inbouwdeel voor thermostatische mengkraan met 3 stopkranen

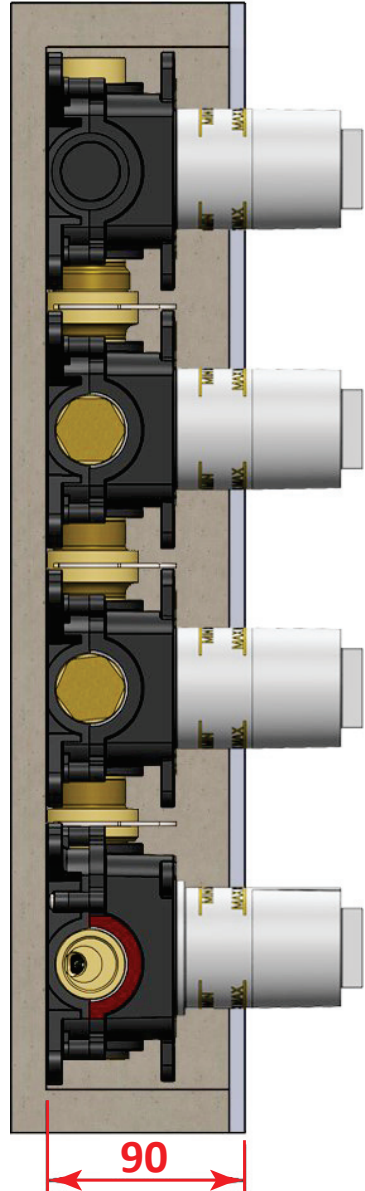
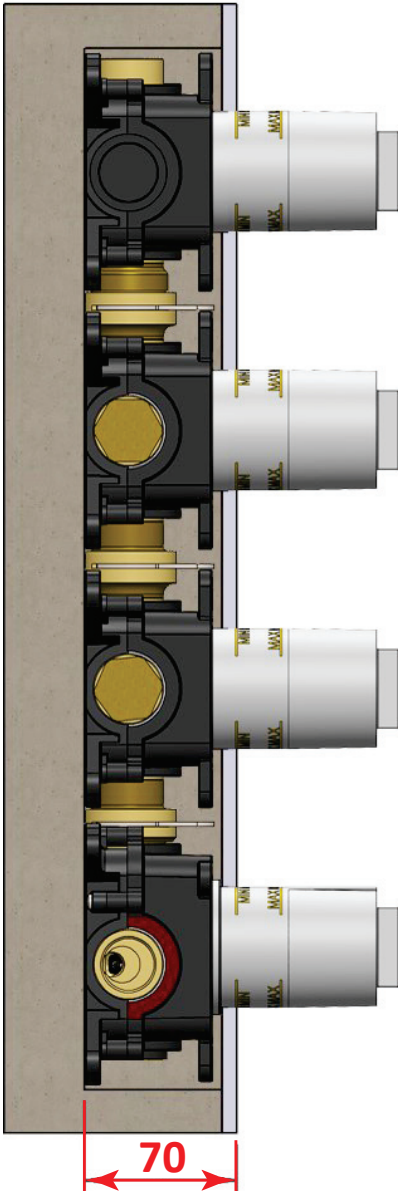


BEFORE STARTING / PRIMA DI INIZIARE / AVANT DE COMMENCER / ANTES DE EMPEZAR / VOR DEM START / VOORDAT JE BEGINT

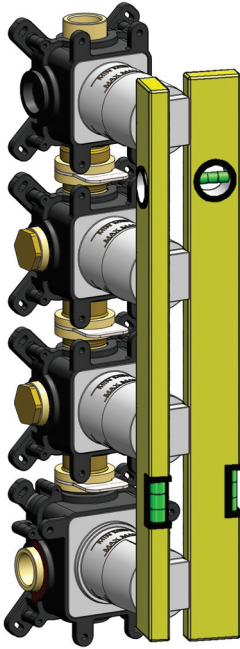
<p>P bar</p>	<p>MAX 5 1 MIN</p>	<p>3</p>	<p>ON OFF</p>	<p>15s</p>	<p>RECOMMENDED: BALANCED PRESSURES</p>	
<p>T °C</p>	<p>MAX 80</p>	<p>60 45</p>			<p>bar</p>	<p>bar</p>

Consider the wall thickness including the final covering

INSTALLATION



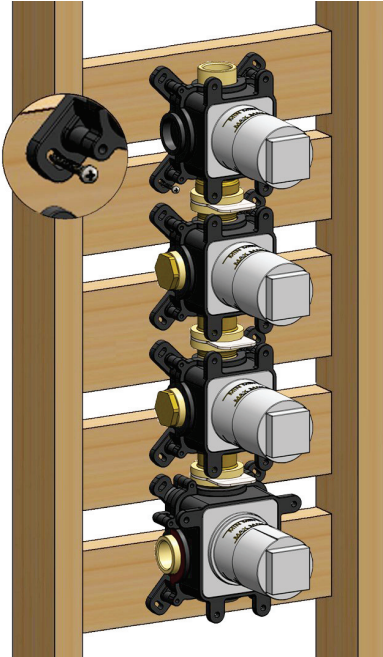
Use a level to find the correct position



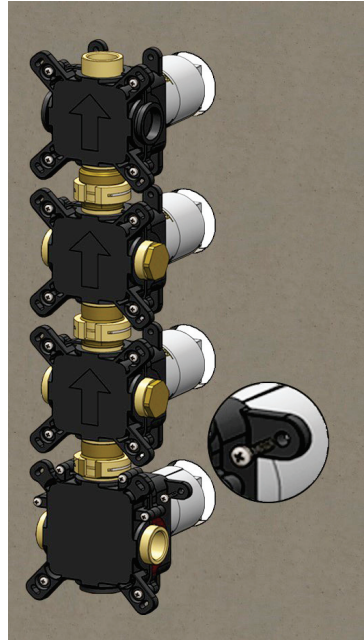
For **in-wall installation**, drill the wall and use plugs and screws to fix the box to the wall



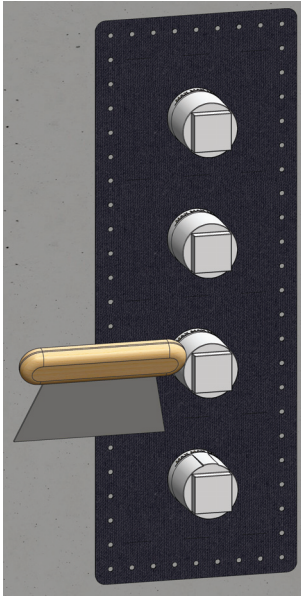
For **frame installation**, use the screws to fix the box to the wood panels



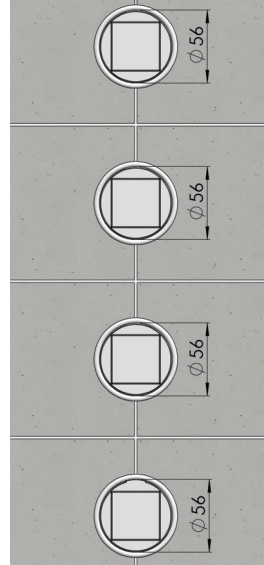
For **plasterboard**, use the screws to fix the box to the drywall



Before tiling fix the membrane to the wall using glue



Drill a 56 mm on the wall covering to allow the cutting of the plastic protections and to ease future maintenance



TERMS OF SALE AND WARRANTY
CONDIZIONI DI VENDITA E GARANZIA
CONDITIONS DE VENTE ET GARANTIE

CONDICIONES DE VENTA Y GARANTÍA
VERKAUFSBEDINGUNGEN UND GARANTIE
VERKOOP- EN GARANTIEVOORWAARDEN

NETHERLANDS
BELGIUM
LUXEMBOURG
UK AND IRELAND

ALL COUNTRIES
(EXCEPTED BENELUX, UK AND IRELAND)

<https://www.hotbath.nl/garantie>

<https://hotbath.it/en/termsofsale>



Hotbath B.V.
Nieuwland Parc 210
2952 DC Alblasserdam
Nederland
E info@hotbath.nl
W hotbath.nl



Hotbath Srl
Via Marco Polo 135/D
I-55049 Viareggio
Italy
E info@hotbath.it
W hotbath.it

hotbath
italian bathroomware