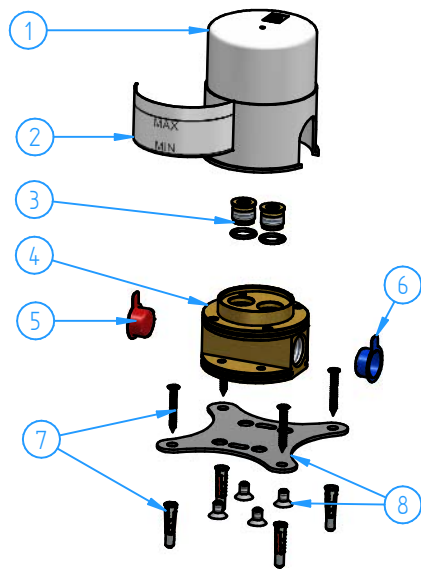
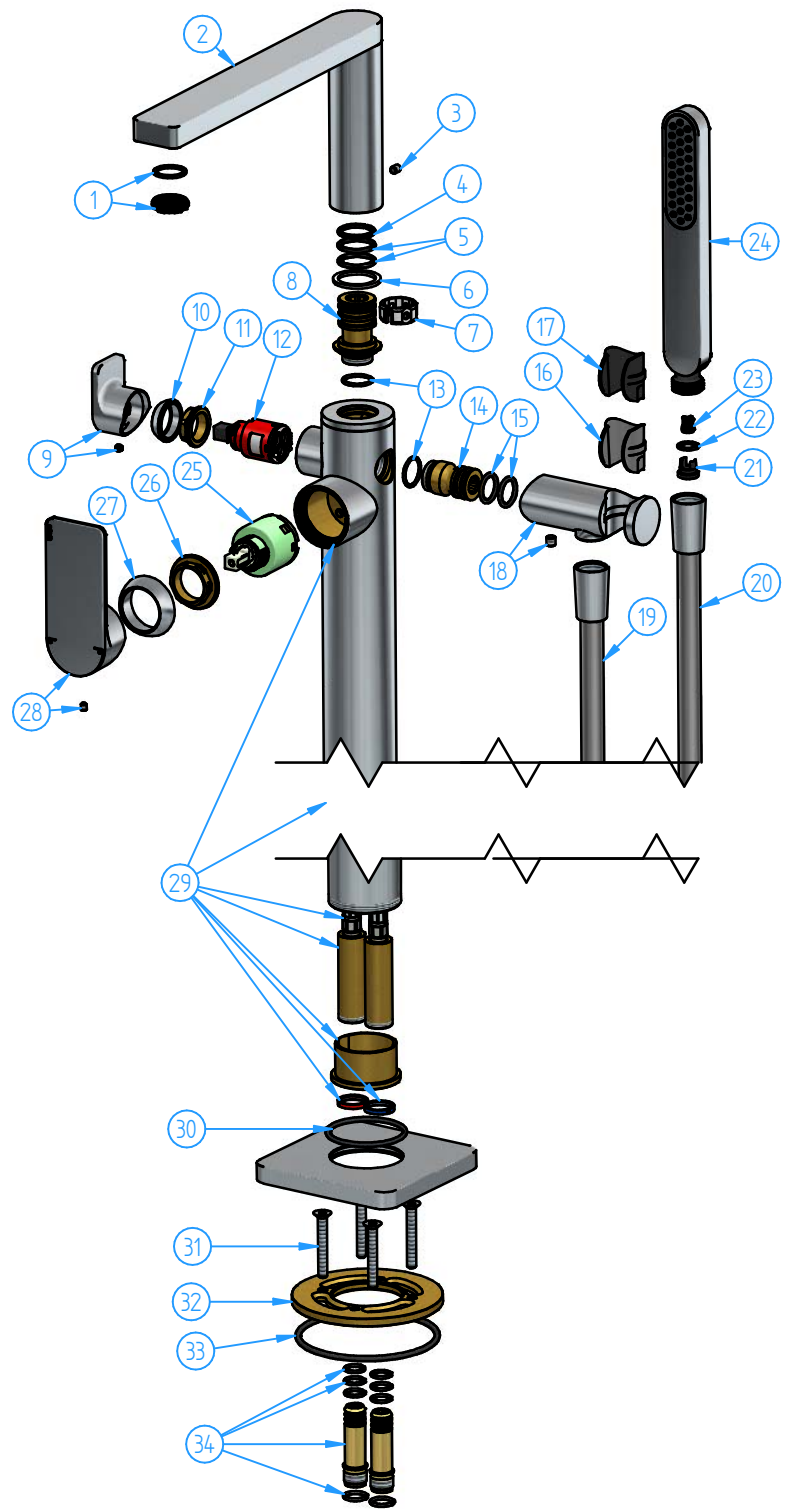


ID Nr	Code	Description	Pcs
2	HBCB177-00	Concealed parts for floor-standing	1
1	GL177EXT-00	External parts for GL177	1



ID Nr	Code	Description	Pcs
8	HBCB177-002	Flange set	1
7	HBCB177-003	Fixing kit	1
6	HBCB105-20	Blu plug	1
5	HBCB105-21	Red plug	1
4	HBCB177-01	Distributor body	1
3	HBCB177-001	Plug set	1
2	HBCB177-06	Label	1
1	HBCB177-04	Plastic cover	1



34	CB177-005	Connector kit	1
33	CB177-19	O.ring 88.5x3x53	1
32	CB177-07	Flange	1
31	CB177-14	Screw M6x45	4
30	GL177-002	Base flange cover set	1
29	CB177-007	Preassembled set for CB177EXT	1
28	GL077-004	Handle set for spout mixer	1
27	B077-28	Cover	1
26	BR005-05	Locknut	1
25	BR005-001	Ceramic cartridge ø35	1
24	GL350-00	Hand shower	1
23	GL350-001	Check valve OD8/DN6	1
22	BR005-14	O.ring 10.82 x 1.78	1
21	GL350-04	Adaptor for check valve	1
20	M015-00	Flexible hose	1
19	M017-00	Flexible hose (for finishes : BBP/BCP and TB in Guy range)	1
18	CB177-004	Shower support	1
17	CB077-19	Plastic insert (black)	1
16	CB077-18	Plastic insert (gray)	1
15	B077-03	O.ring 15.6x2.62	2
14	CB177-15	Connector for hand shower support	1
13	CB077-02	O.ring 17.17x1.78	2
12	CB177-002	Cartridge ø25 (close type)	1
11	B002-04	Locking nut	1
10	B002-03	Cover	1
9	GL177-001	Handle set for shower mixer	1
8	GL077-04	Spout connection	1
7	GL077-05	Plastic insert for spout	1
6	GL077-06	Anti friction ring for spout	1
5	GL077-07	O.ring 20.29 x 2.62	2
4	GL077-07	Upper antifriction ring	1
3	F077-03	Dowel M5x6	1
2	GL073-010	Spout	1
1	BR063-002	Flow guide (Neoperl Slim Honeycomb 01.5511.0)	1

ID Nr	Code	Description	Pcs
			Sheet 1 of 3
N°	REVIEW	Date	Scale 1:5
Description			Material
Floor-mounted bathtub mixer, with flexible hose and hand shower			Weight 0 kg
Code GL177-00	Date of issue 04/03/2026	Chamfers not quoted 0.5x45°	

This drawing is property reserved of Hotbath Srl.
Without express authorization, the copying, distribution and utilization of this document as well as the communication to others is prohibited.

hotbath
italian bathroomware