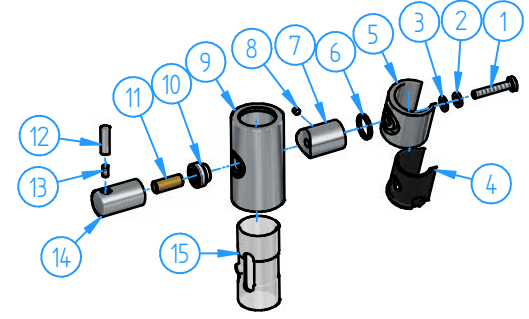
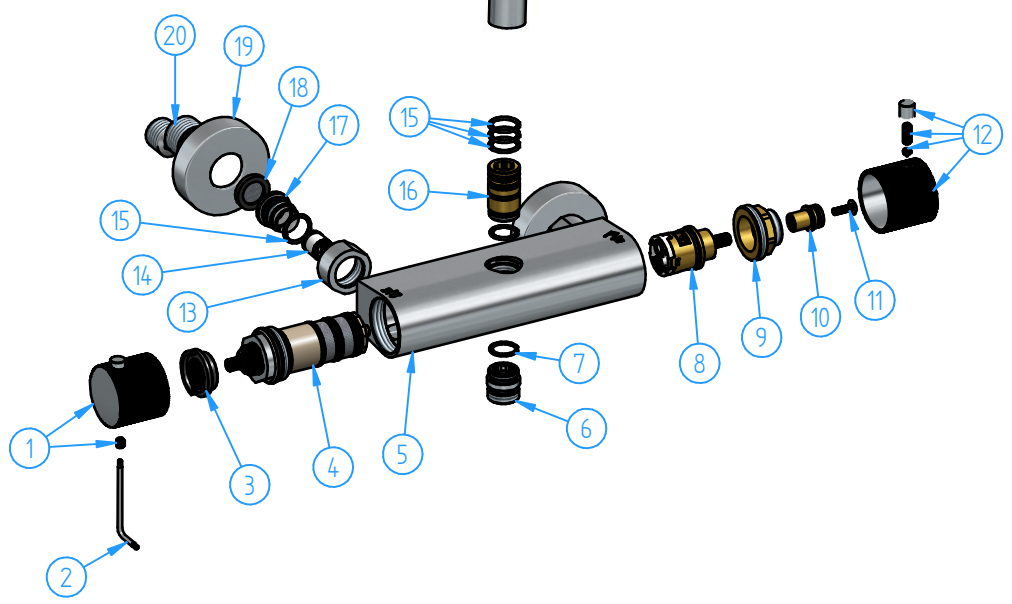


4	GL431-04	Pin for wall bracket	1
3	GL431-17	Dowel M3x4 UNI 5923	1
2	M431-22	O.ring 23.52x1.78	1
1	GL431-02	Wall bracket body	1
ID Nr	Code	Description	Pcs



15	GL431-23	Plastic insert	1
14	GL431-22	Handle body	1
13	GL431-15	Dowel M4x8 - UNI 5923	1
12	GL431-14	Handle	1
11	M307-31	Pushrow	1
10	GL431-21	Lateral nut	1
9	GL431-19	Sliding body	1
8	M307-22	Dowel	1
7	GL431-20	Holder for bracket	1
6	GL431-25	Anti-friction ring	1
5	M307-19	Handshower bracket	1
4	M514-07	Scratch-resistant plastic insert	1
3	M432-08	Stainless steel washer ø10x5 h1 mm	1
2	M307-18	Anti-friction for screw	1
1	GL431-26	Screw M5x28	1
ID Nr	Code	Description	Pcs



35	M017-00	Flexible hose (for finishes : BBP/BCP and TB in Guy range)	1
34	M354-00	Hand shower	1
33	M015-00	Flexible hose	1
32	M100-00	Showerhead ø 200 mm	1
31	M432-001	Adjustable column	1
30	M432-003	Wall bracket	1
29	M432-002	Fixing kit and allen wrench	1
28	GL431-14	Handle	1
27	GL431-15	Dowel M4x8 - UNI 5923	1
26	GL431-08	Handle body	1
25	GL077-07	O.ring 20.29 x 2.62	1
24	GL431-16	Upper plastic insert	1
23	GL431-003	Wall bracket set	1
22	GL431-002	Sliding for handshower	1
21	M432-01	Fixed column	1
20	CB008-04	3/4"-1/2" Union	2
19	CB008-03	Flange	2
18	CB008-06	Washer with filter	2
17	CB008-07	Nut for 3/4" cap	2
16	CB016-02	Connection for column	1
15	CB008-08	O.ring 17x2	5
14	CB008-002	Check valve	2
13	CB008-05	3/4" nut	2
12	CB008-004	On/off - diverter knurled handle set	1
11	CB0768-10	Screw	1
10	CB016-05	Extension	1
9	CB016-04	Locking Nut	1
8	B016-001	2-Ways diverter cartridge	1
7	BR005-16	O.ring 15,60x1.78	2
6	CB008-02	1/2" nut	1
5	CX016-01	Thermomixer body	1
4	CB008-001	Thermostatic cartridge	1
3	HBCB7001-01	Stop ring	1
2	CB7068-08	Allen wrench 2,5 mm	1
1	CX7001-001	Thermostatic knurled handle set	1
ID Nr	Code	Description	Pcs

		Sheet <b>1 of 3</b>	
02	Shower head with black plastic cover	25/05/26	Scale <b>1:5</b>
N°	REVIEW	Date	
Description			Material
Shower set, with wall-mounted thermostatic mixer, 20 cm shower head, hand shower and flexible hose			Weight 0 kg
Code <b>SDSAX9-00</b>	Date of issue 25/05/2026	Chamfers not quoted 0.5x45°	
<small>This drawing is property reserved of Hotbath Srl. Without express authorization, the copying, distribution and utilization of this document as well as the communication to others is prohibited.</small>			