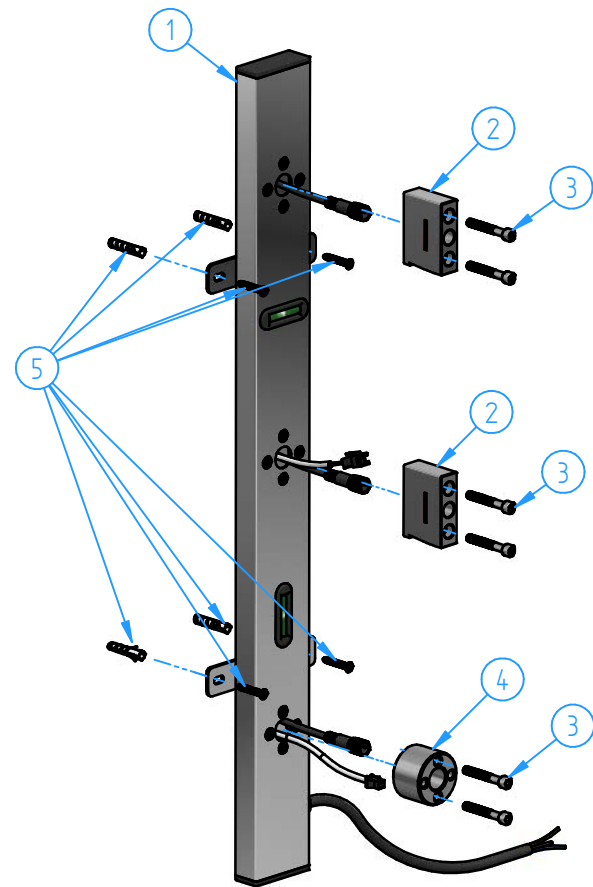
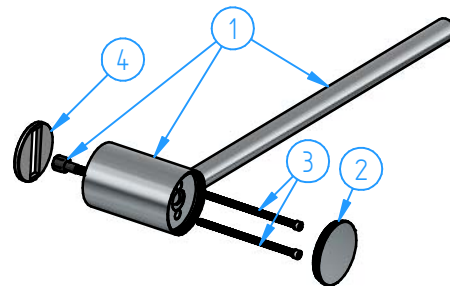
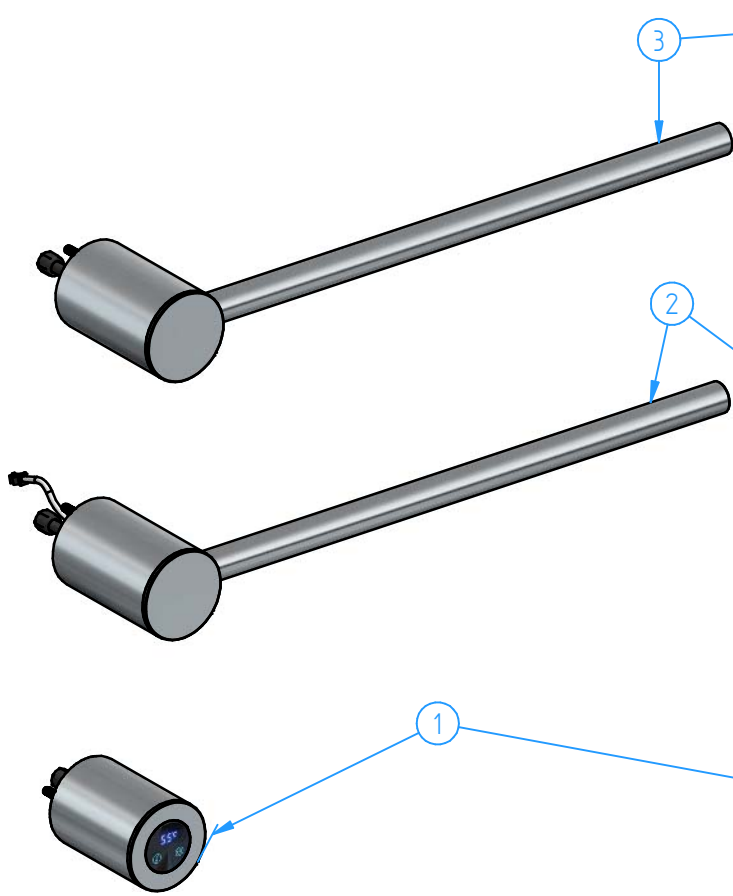


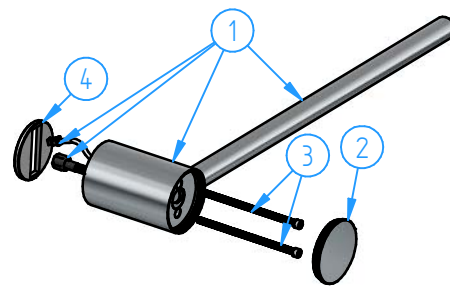
2	MBASES3-00	Concealed parts for RARH50-2, RARV135-2	1
1	RARH50-2EXT-00	External parts for RARH50-2	1
ID Nr	Code	Description	Pcs



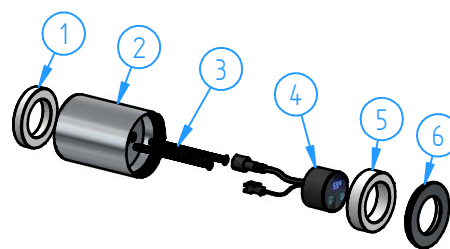
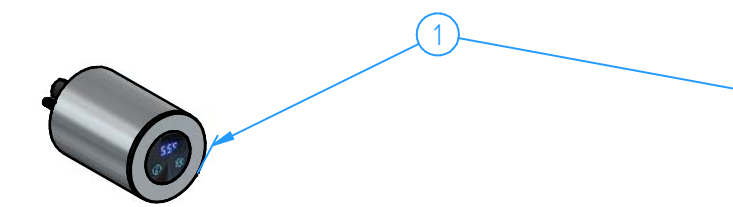
5	MBASES2-002	Fixing kit	1
4	MBASES-01	Control support body	1
3	MBASES-05	Screw M5x35	6
2	MBASES-04	Support body for thermoelement	2
1	MBASES3-001	Concealed preassembled set	1
ID Nr	Code	Description	Pcs



4	RARH50-04	Centering ring	1
3	RARH50-05	Screw M5x110	2
2	RARH50-02	Plug	1
1	RARH50-001	Rail set body (without thermometer)	1
ID Nr	Code	Description	Pcs



4	RARH50-04	Centering ring	1
3	RARH50-05	Screw M5x110	2
2	RARH50-02	Plug	1
1	RARH50T-001	Rail set body (wth thermometer)	1
ID Nr	Code	Description	Pcs



6	SWIRAR-02	Cover	1
5	SWIRAR-04	Upper centering ring	1
4	SWIRAR-001	Thermorgulation button	1
3	SWIRAR-05	Screw M5x88	2
2	SWIRAR-01	Thermocontrol body	1
1	SWIRAR-03	Lower centering ring	1
ID Nr	Code	Description	Pcs

3	RARH50-00	Rail (without thermometer)	1
2	RARH50T-00	Rail (with thermometer)	1
1	SWIRAR-00	Thermocontrol set	1
ID Nr	Code	Description	Pcs

N°		REVIEW	Date	Sheet	1 of 3
Description		Horizontal radiator with 2 rails		Scale	1:5
Code		Date of issue	Chamfers not quoted	Material	Weight
RARH50-2-00		09/06/2026	0.5x45°		0 kg
This drawing is property reserved of Hotbath Srl. Without express authorization, the copying, distribution and utilization of this document as well as the communication to others is prohibited.					